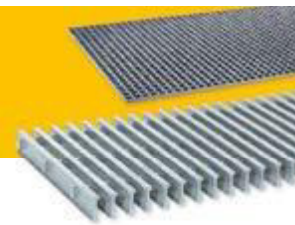
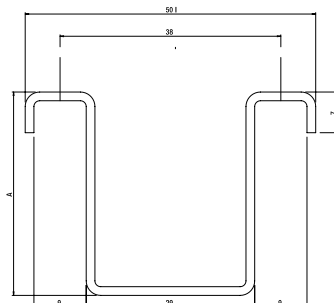
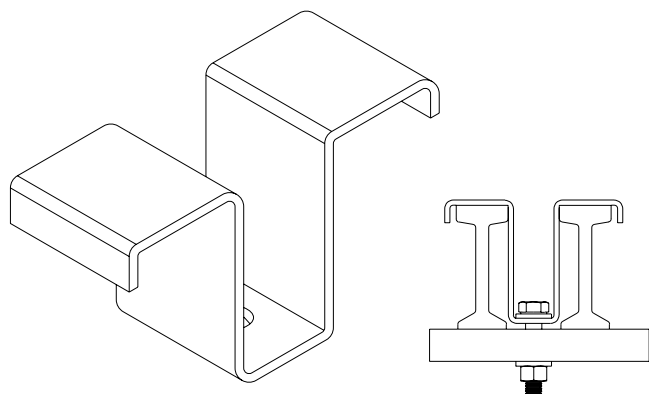


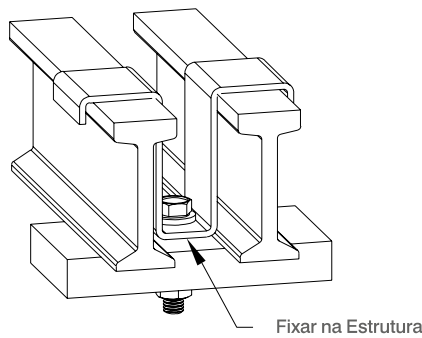
Grampos para Grades de Piso



Grampo para Grade de Piso Injetada



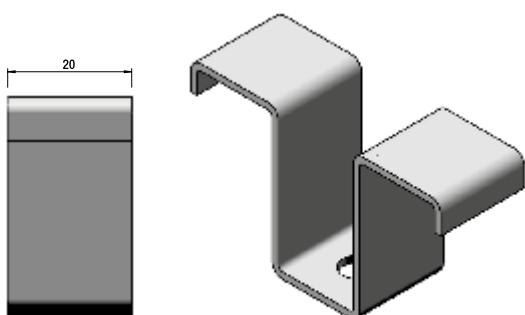
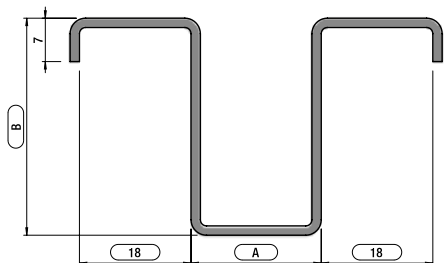
| ALTURA DA GRADE DE PISO | |
|-------------------------|--------|
| Altura | A (mm) |
| 1" | 22 |
| 1.1/2" | 35 |



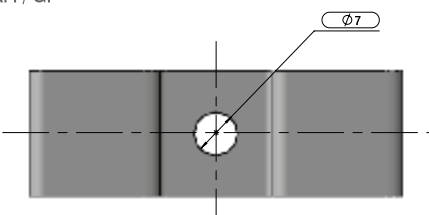
Grampo para Grade de Piso Montada

Fabricados com altura de:

- 1" 25,40 mm
- 1" 1/4 31,75 mm
- 1" 1/2 38,10 mm
- 2" 50,80 mm



Acabamentos: Al6 / Al4 / GF



| Modelo | Altura x Passo | A (mm) | B (mm) |
|---------------|----------------|--------|--------|
| GE-5 / GE-6 | 1" x 1/4" | 15 | 22 |
| GE-1 / GE-2 | 1" x 1/2" | 21 | |
| GE-21 / GE-22 | 1 1/4" x 1/4" | 15 | 29 |
| GE-19 / GE-20 | 1 1/4" x 1/2" | 21 | |
| GE-7 / GE-8 | 1 1/2" x 1/4" | 15 | 35 |
| GE-3 / GE-4 | 1 1/2" x 1/2" | 21 | |
| GE-9 / GE-10 | 2" x 1/4" | 15 | 48 |
| GE-11 / GE-12 | 2" x 1/2" | 21 | |